



MAXSYM TL 508CC

ENGINE

Twin Cylinder, Liquid Cooled, 4 Stroke, DOHC,
8 Valves

DISPLACEMENT

508cc

RATED OUTPUT

33.5 kW / 6,750 rpm

MAX. TORQUE

49.9 Nm / 5,250 rpm

COOLING SYSTEM

Liquid Cooled

LENGTH / WIDTH / HEIGHT / WEIGHT

2,215 mm / 801 mm / 1,468 mm /

SEAT HEIGHT

795 mm

GEARBOX

Automatic

TANK CAPACITY

12.5 L



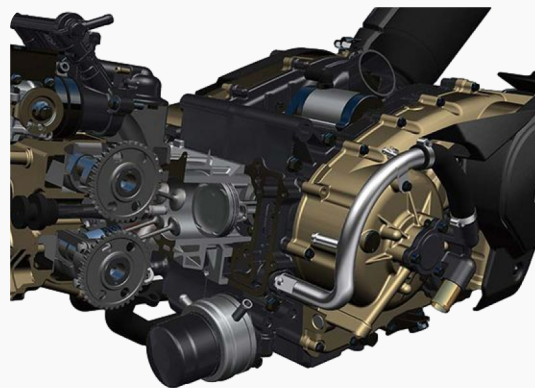
£6,999

+ OTR

MAXSYM TL 508CC FEATURES

POWERFUL ENGINE

The 508cc liquid-cooled DOHC in-line twin / 8 valve engine with maximum power output at 33.5 kW / 6,750 rpm and maximum torque of 49.9 Nm / 5,250 rpm. The performances are such as to make Maxsym TL suitable for long-range tourism.



WEIGHT DISTRIBUTION

The engine is mounted with a 100% motorcycle layout: the position is such as to centralize the masses and improve the centre of gravity, while at the same time allowing a 50/50 distribution of the weights between the axles. This feature makes direct & intuitive driving exciting

DISC BRAKES & CONTINENTAL ABS

The braking system covers dual radial 4-piston front caliper + 275mm wave discs with steel braided brake hoses, delivering powerful braking force. With assist of the precise ABS control, the ultimate braking performance is assured



FULLY LED FRONT LIGHT

The fully-led headlights make the Maxsym TL recognizable on every road, highlighting SYM new high-tech brand signature

LED REAR LIGHT

Rear light adopting the latest technology - LED OPTICAL FILM creates a modern and futuristic product identity, capable of giving an original 3D flame effect, it is an icon of style



HONEYCOMB STRUCTURE EXHAUST SYSTEM

The 360° phased engine tone has been fine-tuned by SYM NVH Lab, your passion now has a soundtrack, matched by the dual-pipe exhaust system

TFT INSTRUMENT CLUSTER

Auto-Dimmer 4.5" TFT full-colour Virtual Instrument Panel with 3 interfaces, each offering lots of different information panels



ERGONOMIC SEAT DESIGN

The MAXSYM TL ergonomic seat will keep you comfortable even on the longest of rides. Built for optimum comfort and with adjustable lumbar support making it suitable for any user

REAR MONO SHOCK ABSORBER

MAXSYM TL is equipped with an efficient rear shock absorber with Multi-Link anchoring system. Combined with the geometry of the frame, it allows you to better perceive every inch of the road



ADJUSTABLE WINDSCREEN

The 2 position adjustable front screen gives great protection from the wind and other weather conditions

KEYLESS LOCK SYSTEM

The keyless system is both secure and very practical



MAXSYM TL 508CC FINANCE

Flexible payment options to suit your budget

PCP Finance

Personal Contract Purchase

8.90% APR

£142.08

Monthly Payment

£199.00

Customer Deposit

37

Months Term

On the Road Cash Price:	£7899.00
Dealer Contribution:	£0.00
Amount of Credit:	£7700.00
Optional Final Payment:	£4166.00
Total Amount Payable:	£9479.88
Fixed Rate of Interest:	4.35%
Annual Mileage:	4000 miles
Excess Mileage Charge:	10p/mile

Rates available from **8.90% APR**; **8.90% APR** Representative. Finance is provided by MotoNovo Finance Limited, company no. 11556144, registered in 2 Central Square, Cardiff, CF10 1FS. Authorised and regulated by the Financial Conduct Authority under FRN 827851. All applications for credit are subject to eligibility and affordability criteria. The rate shown may not be the rate you are offered. MotoNovo interest rates start from **4.35% Fixed / 8.90% APR**. MotoGB Ltd is authorised and regulated by the Financial Conduct Authority FCA 661247 and acts as a credit broker not a lender. MotoGB will receive a commission from the finance company for introducing the transaction. You can ask them to tell you the amount of that commission.